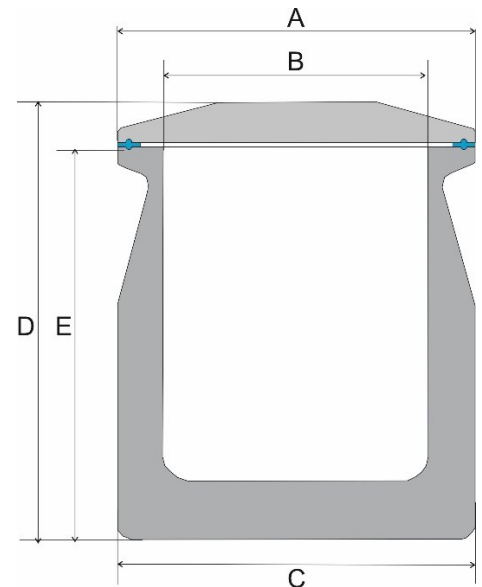


1. Part Number: A816-100

2. Photograph:

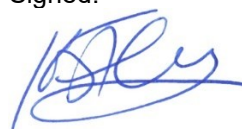


3. Product Information:

Description	Tri-Ferrule Bottle 100ml
Materials of Construction:	- Body: 316L stainless steel - Lid: 316L stainless steel - Gasket: Silicone (FDA 21 CFR 177.2600 compliant)
Nominal Volume:	100ml
Method of Construction:	Crevice free interior, welds ground & polished
Surface Finish:	Better than 0.5 microns Ra
Dimensions:	A = 64 mm B = 48 mm C = 64 mm D = 78 mm E = 70 mm Max. Width over the Clamp = 142 mm
Nominal Weight (body, lid, clamp & gasket):	1.27 kg
BSE/TSE statement:	All polishing compounds used in the manufacture of this product are of vegetable origin.
Recommended Storage Conditions:	Dry and ambient temperature

4. Approval:

Signed:



Name: Kuldeep Flora

Position: Quality Manager

Date: 23-Feb-23